



CONTACT US

**KOYO ELEVATOR CO., LTD.**

ADD: NO.368, Dongrong Road, Bacheng Town, Kunshan City, Jiangsu, China  
TEL: +86 512 57065652 / +86 512 57065087  
E-MAIL: info@koyocn.com  
WEB: www.koyocn.com



KOYO2023061000



Escalator

The artistic drawings contained in this catalog are for illustration purposes only, physical products may vary.  
Any pictures and words in this book, regardless of their literal means or meaning, will take no responsibility for the purpose and the quality of the product, or any expression and changes in the sales contract.  
Due to the limitation of printing process, the actual processing color may be slightly different from this volume, and the final shape can be determined according to the actual materials and color samples.

Edition of 2023

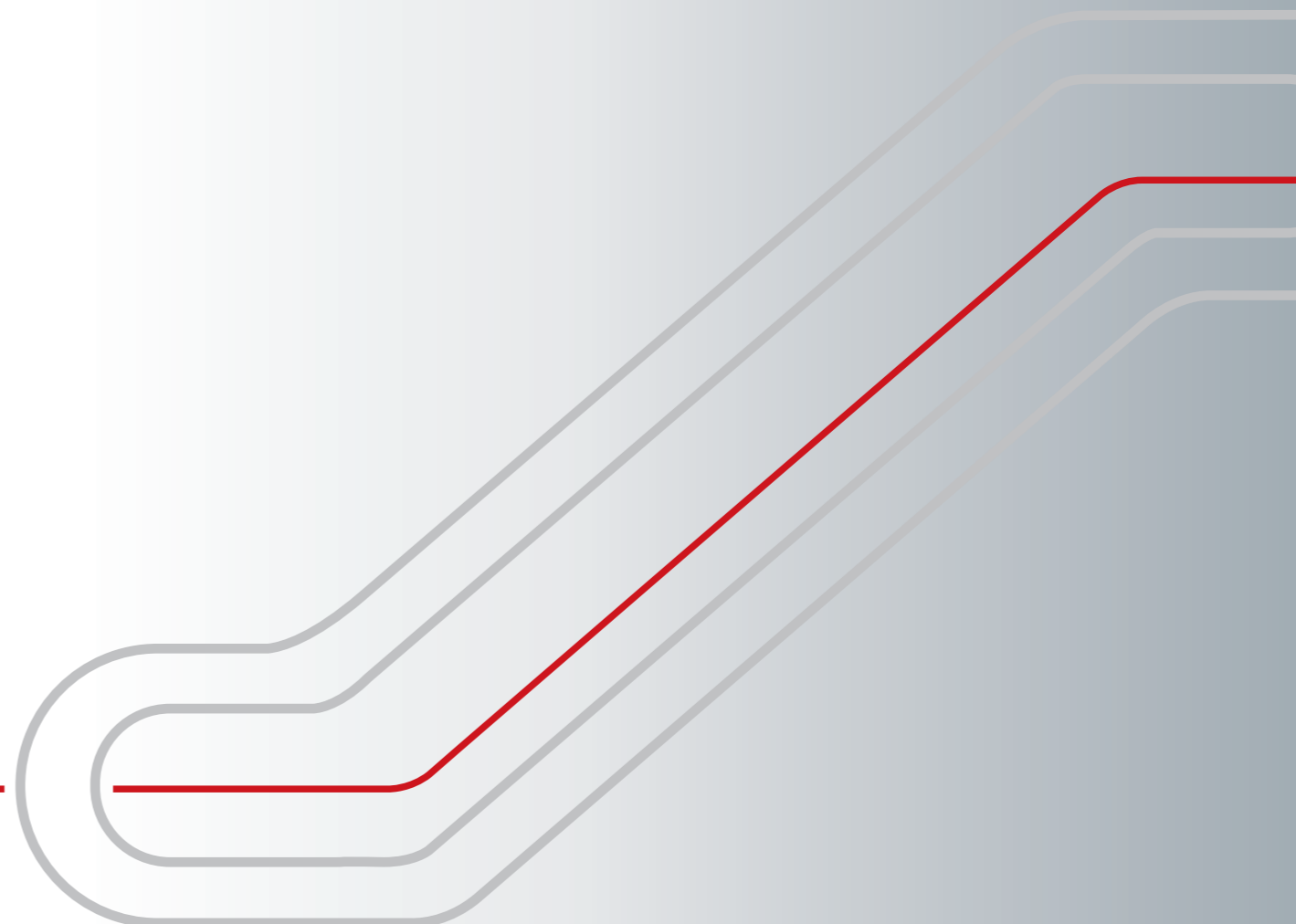






# CONTENT

- P03 Company profile
- P05 KOYO escalator description
- P07 Intelligent control system
- P09 Material
- P13 Standard and optional function
- P16 Specification option table
- P17 Perfect layout
- P18 Installation notice
- P20 Escalator specifications & parameters
- P29 Considerate service





# Company Profile

Founded in 2002, KOYO has been a modern elevator and escalator manufacturer based in Kunshan, China with invested capital of 130 million US Dollars, and an occupied area of 230,000 square meters. It is a comprehensive elevator manufacturer that integrates research & development, design, manufacture, sales, installation, maintenance, and retro-fitting into one combined solution. Up until today, the company is capable of producing high-speed elevators with a maximum speed of 8m/s. The built units are equipped with the Elevator Group Supervisory Control System which is capable of managing eight units at the same time operating in buildings up to 64 stories. In addition to KOYO's product line, the maximum lifting height of escalators can reach 25 meters, and the maximum length for passenger conveyor products can reach 200 meters. By collaborating with Suzhou University and Shanghai Jiaotong University, KOYO has developed a series of mainboards and control systems of its own. Since 2002, our products are popular in 122 countries such as Germany, France, Italy, USA, Britain etc.

KOYO Elevator was ranked as the National High-tech Entrepreneur due to its heavy investment in R&D and innovative technology. With automated metal-working production equipment and escalator assembly-line assembly equipment plus a mindset of constantly striving for perfection, KOYO has been able to ensure its product quality and performance since day one. All production conforms to the standards of CCC, GB, VDI, EN81, EN115, CE, TUV, IEC, etc. KOYO has also obtained ISO9001:2015 Quality Supervision System Authentication Certificate, ISO14001:2015 Environmental Management System Certificate and ISO45001:2018 Occupational Safety Hygiene Management System Certificate issued by the authoritative international certification institutes.

Capital invested: **130** million USD

Occupied area: **230,000** square meters

**8** m/s maximum speed

**64** floors, **8** units group supervisory control system

Maximum **25** m height escalator

Maximum **200** m length passenger conveyor

Popular in **122** countries





# Comfortable ride Enjoy city life

KOYO escalators and passenger conveyors, complying Europe latest EN115 & China GB16899-2011 standards, are fully adopted new materials and advanced technology to carry on its design and manufacture. They have been operating smoothly, low noise and high reliability, good structural strength. They are durable and easy to maintain. As a result of its superior design concept and advanced manufacturing process, KOYO escalator and passenger conveyor comes with exquisite structure, excellent step design and elegant appearance.

KOYO escalator and passenger conveyor has full range of specifications, elegant design and flexible decoration, which has been widely used in shopping malls, supermarkets, subways, airports, exhibition centers etc.



ISO9001:2008 / ISO14001:2004 / OHSAS18001:2007  
European certification / Energy-saving system



# Intelligent control system It ensures safe travel

According to the requirement of modern industrial product design, KOYO escalator control cabinet applies the golden section design method for the section size of the cabinet and each part, which makes the cabinet aesthetically pleasing. In view of the cooling problem, the cooling holes have been designed on the upper and lower part of the cabinet. When the electrical components generate heat, the heat will be exhausted through the upper holes and the cold wind will consistently enter into the cabinet through the lower holes, which makes the sealed cabinet become an air duct to realize the cooling purpose.

KOYO escalator control cabinet with sealing design is approved by third testing party and labeled as security level of IP54, which can be used in different working condition. The cabinet door and operating handle of breaker or isolating switch are designed with a mechanical interlock, the handle can be opened only when the door is in the subsection position which raises the safety factor of operator

## KYM08E301 embedded automatic escalator control board

KYM08E301 embedded automatic escalator control board is on the basis of ARM 32 microprocessor which is independently developed by KOYO Elevator Co., Ltd, it is a product of high technology and delivers a stable quality performance and high capacity of anti-interference. This product has the following characteristics.

### It has the following features and properties:

- ARM 32 embedded micro-processor;
- Basic points: 36 points input and 24 points output and extended to 68 points input;
- Press-Key input, LED display, parameters to be set up and history record to be stored;
- Automatic diagnosis of defect and history record can be stored with capacity of 1000 items.
- Long-distance control communication interface (RS485 and CAN);
- Real-time clock for power failure protection ;

## Escalator programmable electronic safety related systems (PESSRAE)

The system meets with European standard: EN115-1:2008+A1:2010 and IEC61508 on the corresponding requirement of the programmable electronic safety related systems. The system uses the security controller: PES, the controller itself is certified by TUV, safety protection comes to SIL3 level. The system uses advanced monitoring methods, such as dual channel, self-diagnosis, etc. which also has passed the testing from the Rhine technology (Shanghai) Co., LTD.

Safety protection comes to SIL2 level with CE certificate.

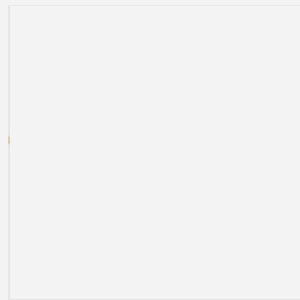
### The system mainly has the following features:

- Design according to the needs of SIL;
- Multiple redundancy, monitoring of each input electric for every security monitoring (main engine speed, escalator step missing monitor, handrail belt speed detection, etc.)
- Superior self-test system ;  
Compatible with all kinds of system, PLC, PC board system, etc.
- Good electromagnetic compatibility EMC ;
- Systematic solution making KOYO escalator control products more outstanding ;

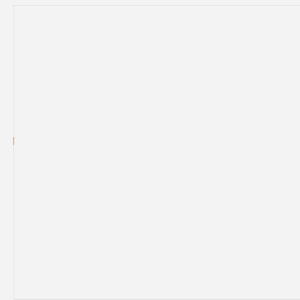


# Unique design Aesthetic appreciation

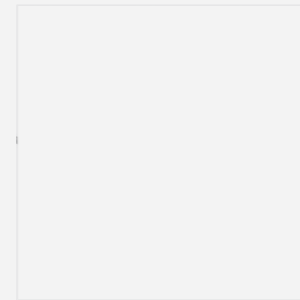
## Step



Stainless steel with plastic side-frame



Aluminum alloy with plastic side-frame

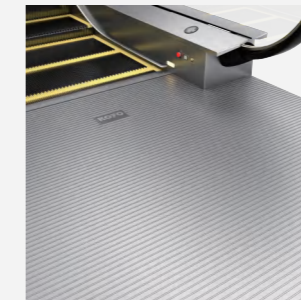


Die-casting aluminum step with painted frame

## Front Landing panel



Aluminum alloy

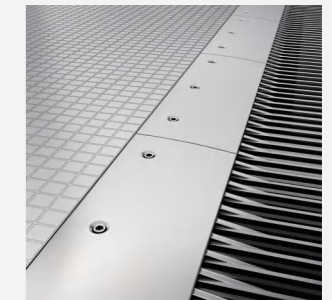


Stamped stainless steel

## Comb



Synthetic resin

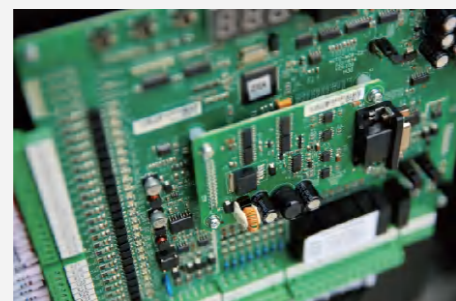


Aluminum alloy

## Anti-creep device



## Functional safety board



## Truss material-selection

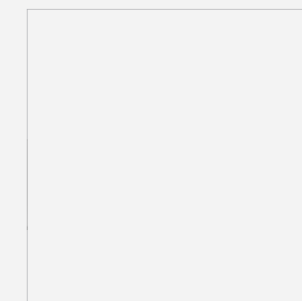


Painted angle-steel

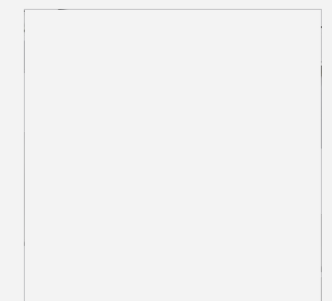


Hot dip galvanizing angle-steel

## Outer packing material-selection



Glass paralleling escalator



Stainless steel cross escalator





### Handrail color



Black



Red

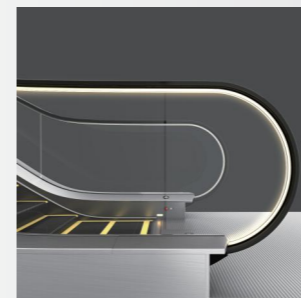


Blue



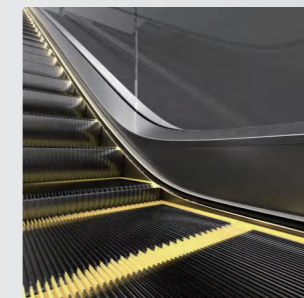
Grey

### Handrail lighting



White

### Skirt panel lighting

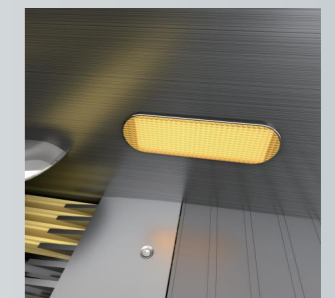


Ribbon

### Comb lighting



White light



Yellow light

### Handrail brackets

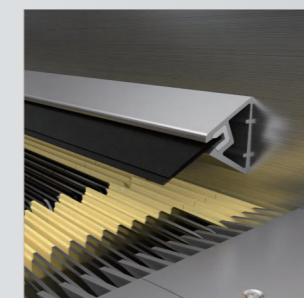


Aluminum alloy



Stamped stainless steel

### Skirting brush



Single-row skirting brush



Double-row skirting brush

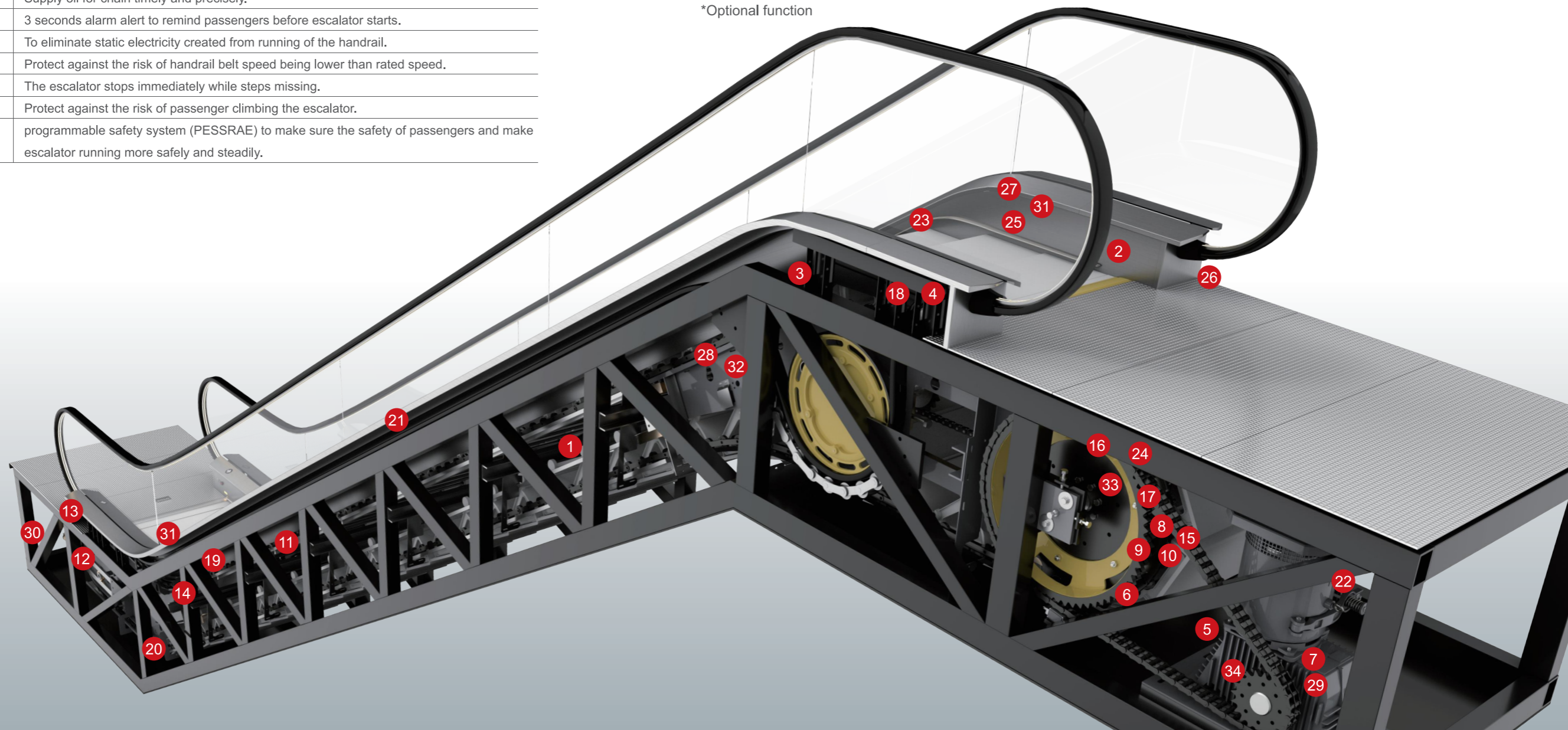


# Safety device

No.	Safety function	Remarks
01	Anti-static brush	Eliminates static electricity created from running of the steps/pallets.
02	Emergency stop press-button	To stop the escalator immediately for emergency.
03	Skirting protection	Protect against the risk caused by the foreign bodies between steps and skirting panels.
04	Handrail entrance protection	Protect against the risk of foreign matter being jammed into handrail entrance.
05	Broken Drive-chain protection	Protect against the risk of drive chains breaking or elongation.
06	Over/under-speed monitor	Protect against the risk of the escalator being over or under speed.
07	Anti-reversal protection	Protect against the risk of wrong running direction.
08	Default phase protection	Protect against the risk of phase failure.
09	Electrical circuit protection	Double protection on circuits to make sure escalator running more steadily.
10	Motor overload, overheat protection	The escalator will stop running automatically while the motor electric current is over 120%.
11	Step (tread) sagging protection	Protect against the risk of steps \pallets breaking and sagging.
12	Broken step-chain protection	Protect against the risk of step chain breaking or undue elongation.
13	Comb safety protection	Protect against the risk of foreign bodies being trapped at the point.
14	Step gap illumination	To light up the top and bottom entrances of escalator.
15	Trouble self-diagnosis	Self diagnostic and displaying fault to improve work efficiency.
16	Automatic lubrication	Supply oil for chain timely and precisely.
17	Alarm-bell start device	3 seconds alarm alert to remind passengers before escalator starts.
18	Handrail anti-electrostatic device	To eliminate static electricity created from running of the handrail.
19	Handrail speed-detection function	Protect against the risk of handrail belt speed being lower than rated speed.
20	Step missing function	The escalator stops immediately while steps missing.
21	Anti-creeping device	Protect against the risk of passenger climbing the escalator.
22	Functional safety protection device	programmable safety system (PESSRAE) to make sure the safety of passengers and make escalator running more safely and steadily.

No.	Safety function	Remarks
23	Skirting brush	Avoid the passenger's shoes, socks touching the skirting to protect passenger's safety, also protect the steps and the whole escalator normal operation.
24	Machine room Protection-panel	To make sure the safety of the passengers avoid touching the steps when under maintenance.
25	Fault display	The error number wil display on the screen and be easy for maintenance.
26	*Auto-start by Microwave sensors/ photocell sensors / step contact mats	Stop or slow running to achieve energy saving.
27	*Comb heating function	Avoid comb freezing under low temperature.
28	*Truss heating function	Avoid the step freezing under low temperature.
29	*BMS remote monitoring system	Remote control the single escalator, centralized control method for Multi-escalators.
30	*Oil - water separator	Separated Oil from water to avoid polluting the environment while escalators are installed outside.
31	*Comb lighting	Providing higher brightness level for safety.
32	*Step up-skid function	Switch on-off to stop escalator running if steps jump.
33	* Auxiliary brake	The escalator will be stopped when the drive chain broken or overspeed.
34	*Mechanical anti-reversal function	Protect against the wrong running direction.

\*Optional function





# Specification option table



		Indoor escalator		Outdoor escalator	Public transport type
		Slender type	Commercial type	Commercial type	
Handrail belt	Black	●	●	●	●
	Red, blue, other colors etc	○	○	○	○
Handrail bracket	Hairline stainless steel	●			
	Aluminum alloy		●	●	●
Balustrade panel	Color-less transparent Tempered glass	●	●	●	●
	Colored transparent Tempered glass	○	○	○	○
	Hairline stainless steel		○	○	○
Inner and outer decking	Hairline stainless steel	●	●	●	●
	Teflon layer steel plate	○	○	○	○
	Teflon layer stainless steel	○	○	○	○
Skirting panel	Hairline stainless steel	●	●	●	●
	Teflon layer steel plate	○	○	○	○
	Teflon layer stainless steel	○	○	○	○
Step	Stainless steel with yellow warning line	○	○		
	Overall die-casting aluminum	○	○	○	○
	Die casting Aluminum with yellow warning line	●	●	●	●
Comb	Synthetic resin (yellow)	○	○	○	○
	Aluminum alloy	●	●	●	●
Landing panel	Stamped stainless steel	●	●		
	Etching stainless steel	○	○	○	○
	Aluminum alloy	○	○	●	●
Truss	Painted angle-steel	●	●		
	Hot dip galvanizing angle-steel	○	○	●	●
Exterior decoration	Painted steel plate ( colors for choice )	○	○	○	○
	Hairline stainless steel	○	○	○	○
	Tempered glass	○	○	○	○

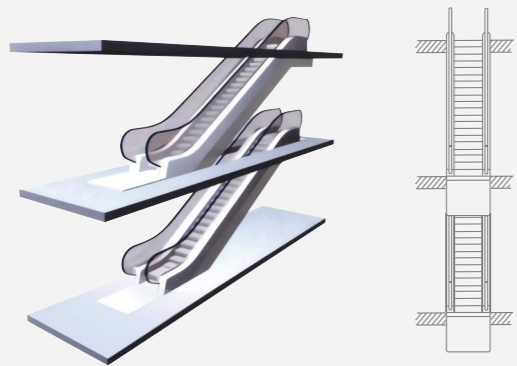
Note: ● Standard configuration ○ Optional configuration



# Perfect Layout

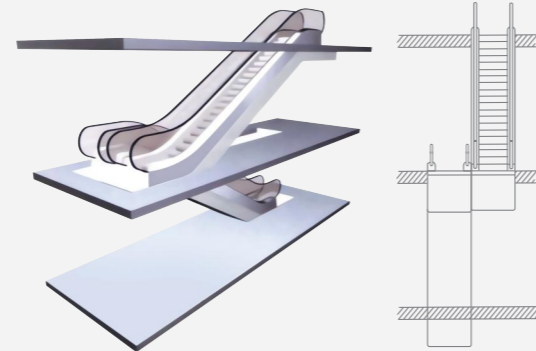
## Intermittent layout style (one-way traffic)

Suitable for small-sized shopping malls with three floors.



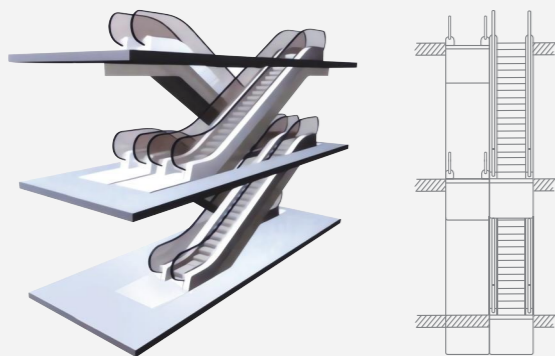
## Continuous layout style (one-way traffic)

Continuous layout type escalator and moving walk can connect several floors, but they need more space than the inconsistent layout.



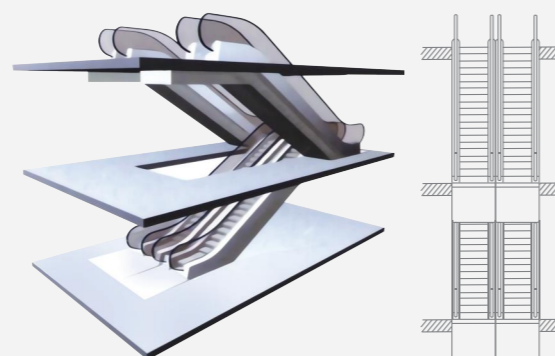
## Cross and continuous layout style (two-way traffic)

Installed in buildings with multiple floors, the cross layout can travel in two directions to limit the traveling time between floors. This type is widely used in shopping malls and now being used more and more in government institutes and public places.



## Parallel and continuous layout style (two-way traffic)

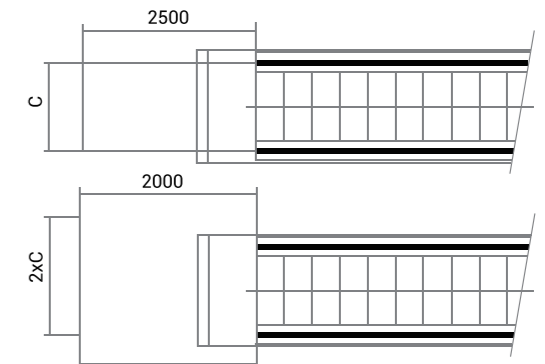
The layout of this type may cause slight inconvenience to shoppers, but advantageous for shopping mall owners since they can market certain products and service to shoppers on their way to change escalators.



# Installation Notice

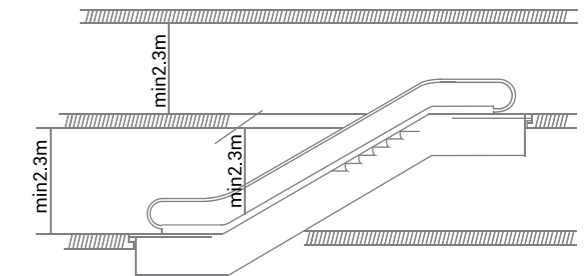
Besides complying with the drawing of the contract, attention should be also drawn to the following

- To ensure the safety of the escalator and moving walk, free space should also be large enough in the landing area. (See the minimum size right)
- C=handrail belt width



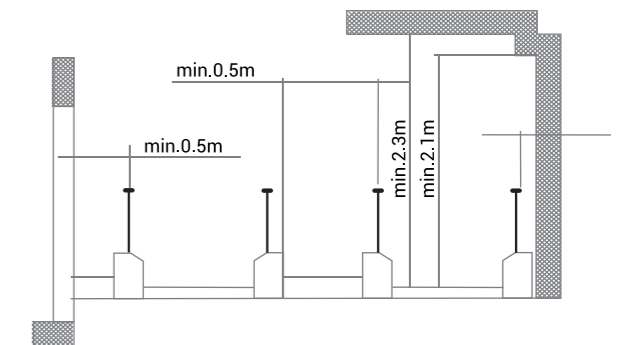
## Vertical safety distance

- There should be at least 2.3m upside safety distance starting upward from the step board.
- Notice: if the vertical rise of one escalator, which is installed above another one, is less than 3.3m, the upside safety distance can not reach 2.3m.



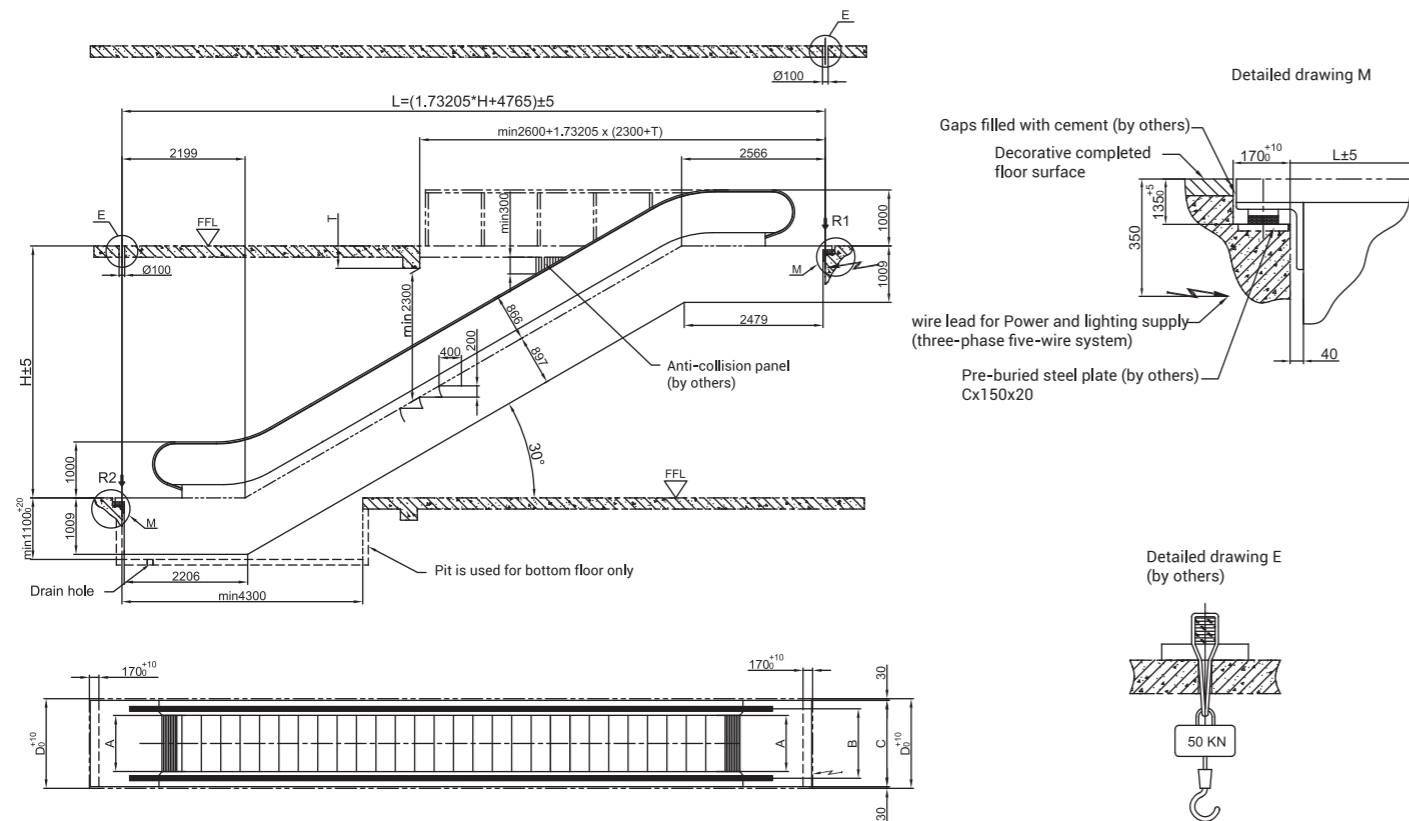
## Escalators and moving walk horizontal safety distance

- The horizontal distance between the handrail edge and the wall or other objects should be more than 80mm.
- The vertical distance above the step board should be more than 2.3m.
- The vertical distance above the handrail space should be more than 2.1m.
- In case of floor spaces or the cross layout of escalators and moving walk, the safety distance between the handrail center and the object should be more than 0.5m.
- If the above-mentioned requirements cannot be met, a special protection device and a bumper rail should be used.
- For further information, please contact KOYO elevator.





## KYS/C 230 commercial escalator Construction layout



**Travelling height:** Maximum 6000  
**Horizontal Steps:** 2

**Inclination:** 30°  
**Step width:** 600/800/1000

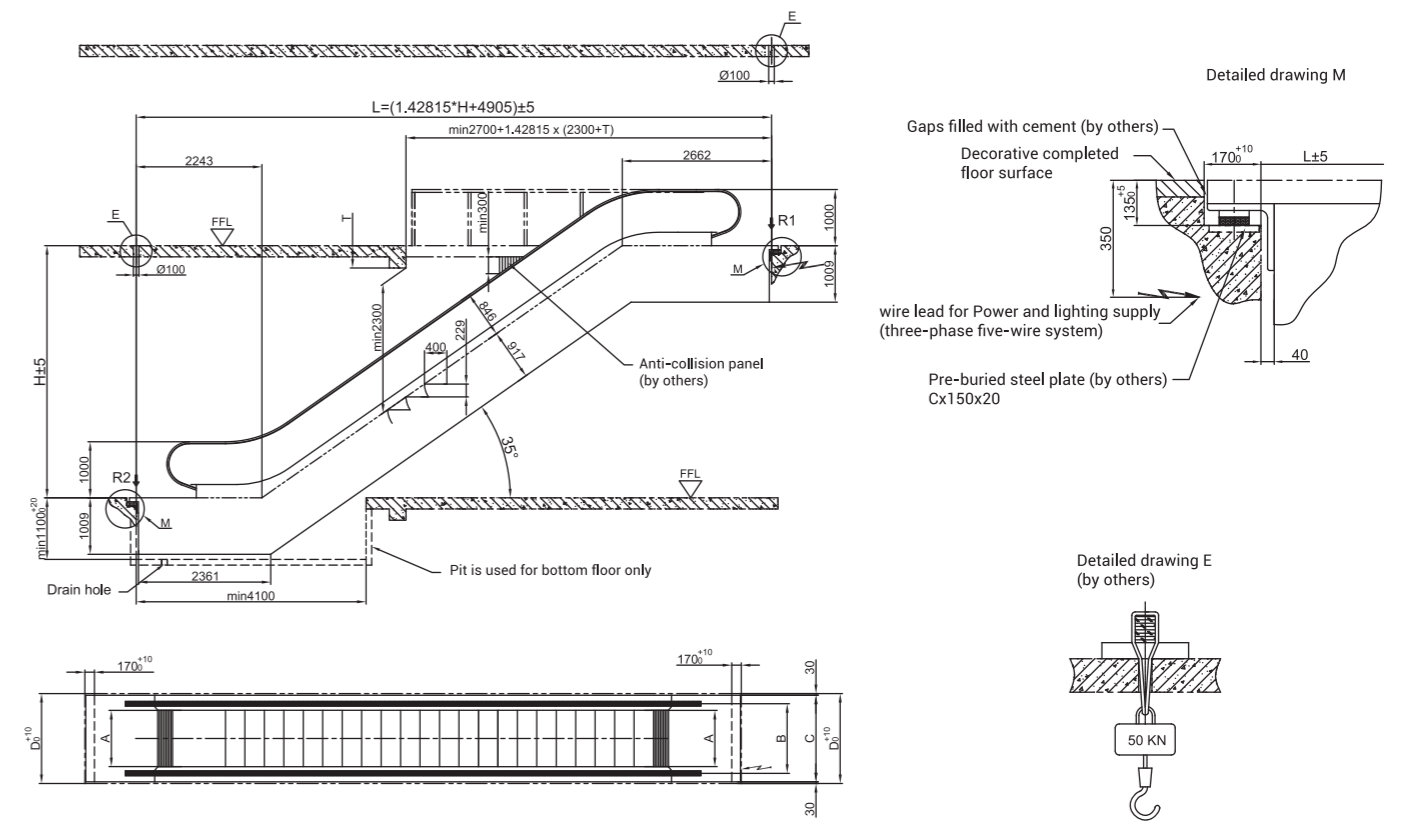
**Description:**

- All dimensions are based on "mm";
- If more horizontal steps required, extend the horizontal length correspondingly;
- When the width of step A=600, the truss must be extended by 420mm;
- Pit depth should be 1450mm for outdoor escalators.

Model	KYS/C230-600	KYS/C230-800	KYS/C230-1000
A:Step width	600	800	1000
B:Handrail center width	838/910	1038/1110	1238/1310
C:Width of Escalator	1140/1200	1340/1400	1540/1600
D:Width of Pit	1200/1260	1400/1460	1600/1660

Step width A (mm)	Travelling height H (mm)	Dead weight KN	Support reaction	
			R1(KN)	R2(KN)
600	3000	57	46	41
	3500	60	49	44
	4000	64	52	47
	4500	68	56	50
	5000	71	59	53
	5500	75	62	56
800	3000	59	52	47
	3500	63	56	50
	4000	67	60	54
	4500	71	64	57
	5000	74	68	60
	5500	82	74	66
1000	3000	86	78	69
	3500	63	59	53
	4000	67	64	57
	4500	71	68	61
	5000	75	73	65
	5500	83	79	71
	5000	87	84	75
	6000	92	88	79

## KYS/C 235 commercial escalator Construction layout



**Travelling height:** Maximum 6000  
**Horizontal Steps:** 2

**Inclination:** 35°  
**Step width:** 600/800/1000

**Description:**

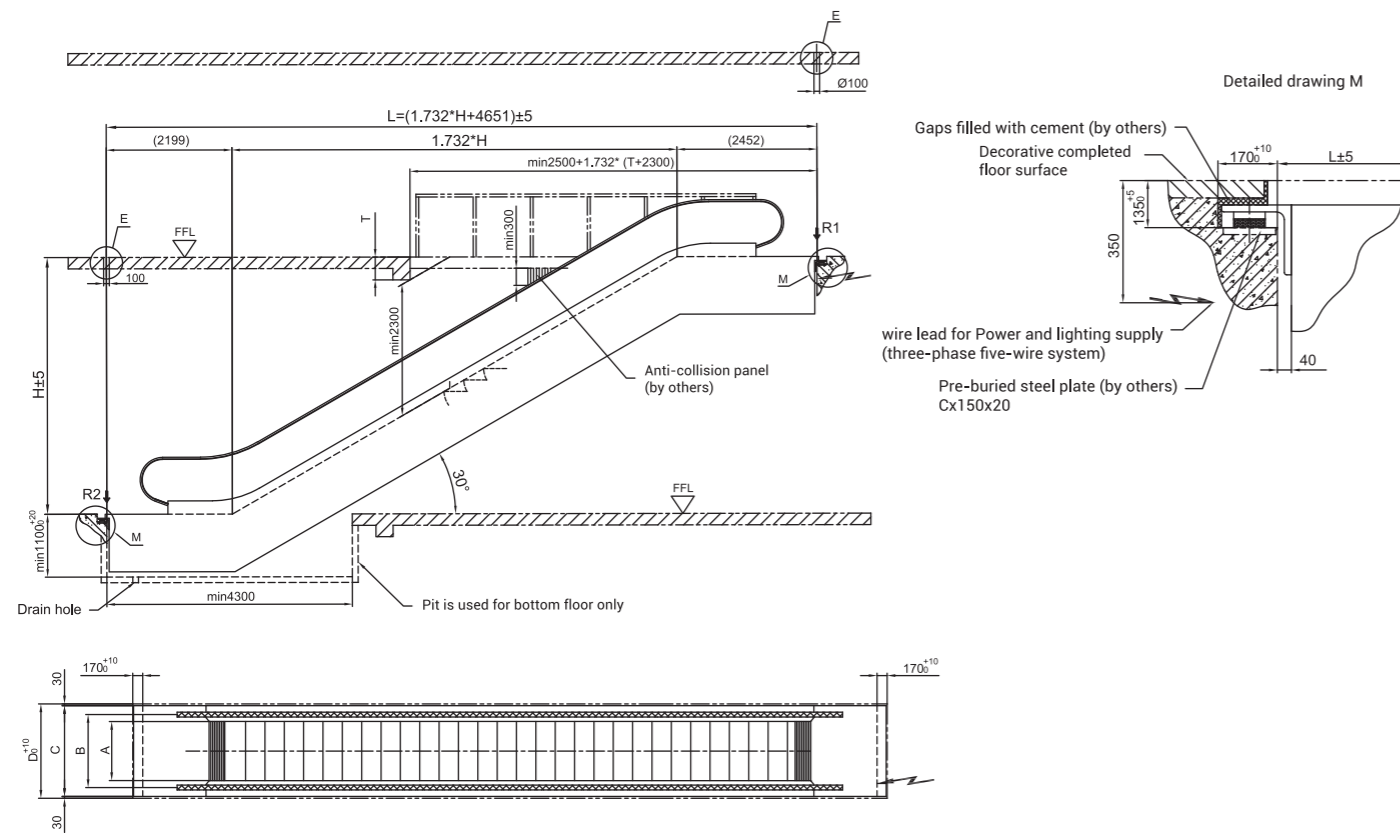
- All dimensions are based on "mm";
- If more horizontal steps required, extend the horizontal length correspondingly;
- When the width of step A=600, the truss must be extended by 420mm;
- Pit depth should be 1450mm for outdoor escalators.

Model	KYS/C235-600	KYS/C235-800	KYS/C235-1000
A:Step width	600	800	1000
B:Handrail center width	838/910	1038/1110	1238/1310
C:Width of Escalator	1140/1200	1340/1400	1540/1600
D:Width of Pit	1200/1260	1400/1460	1600/1660

Step width A (mm)	Travelling height H (mm)	Dead weight KN	Support reaction	
			R1(KN)	R2(KN)
600	3000	54	43	39
	3500	57	46	41
	4000	60	49	44
	4500	64	52	46
	5000	67	54	49
	5500	70	57	51
800	3000	73	60	54
	3500	56	49	44
	4000	60	52	47
	4500	63	56	50
	5000	66	59	53
	5500	70	62	56
1000	6000	76	69	61
	3000	60	56	50
	3500	64	60	53
	4000	67	64	57
	4500	71	67	60
	5000	74	71	64
	5500	82	77	69
	6000	85	81	72



## KYSE 30° Economic type escalator Construction layout for commercial use



**Travelling height:** Maximum 6000  
**Horizontal Steps:** 2

**Inclination:** 30°  
**Step width:** 600/800/1000

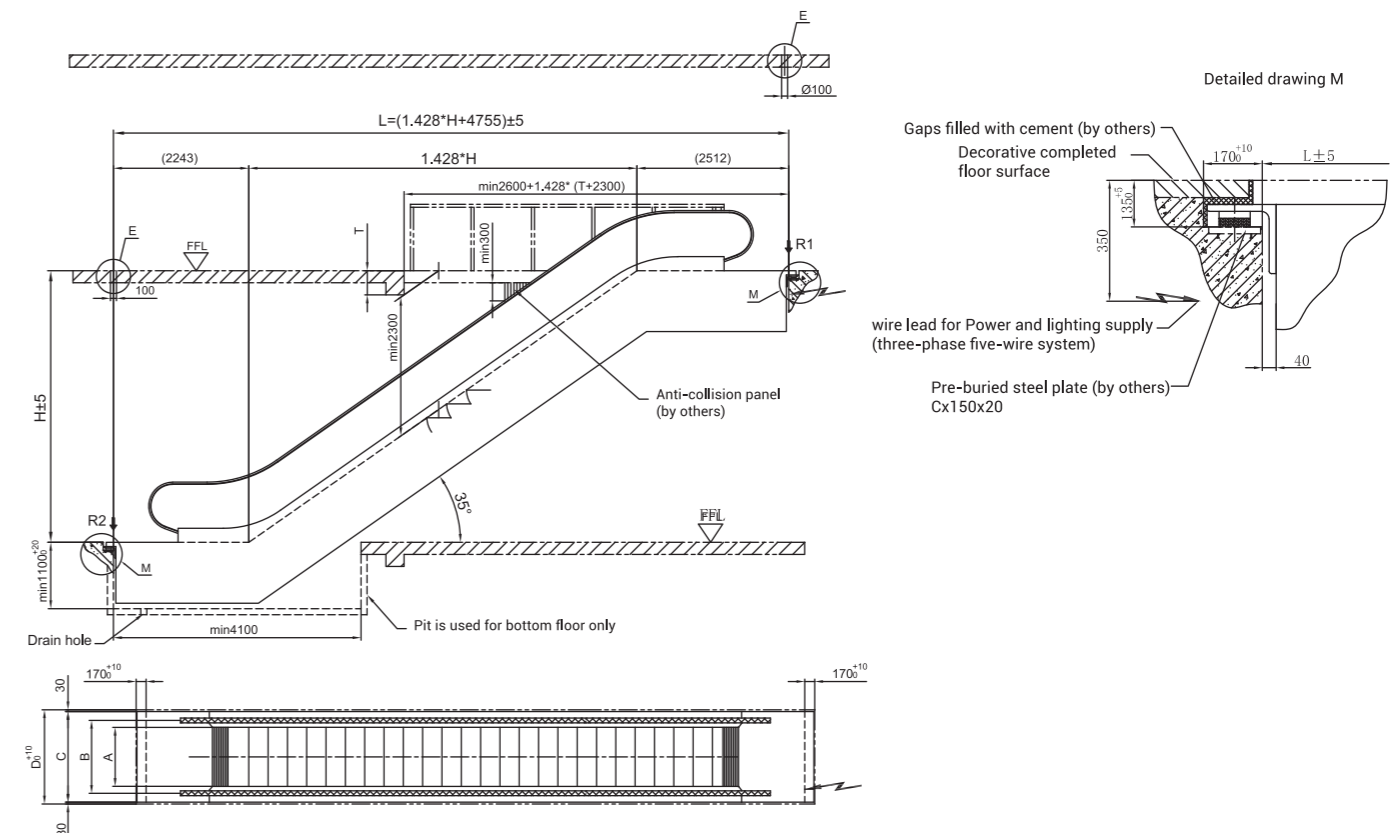
**Description:**

1. All dimensions are based on "mm";
2. If more horizontal steps required, extend the horizontal length correspondingly;
3. When the width of step A=600, the truss must be extended by 420mm;
4. Pit depth should be 1450mm for outdoor escalators.

Model	KYSE 30°-600	KYSE 30°-800	KYSE 30°-1000
A:Step width	600	800	1000
B:Handrail center width	838	1038	1238
C:Width of Escalator	1140	1340	1540
D:Width of Pit	1200	1400	1600

Step width A (mm)	Travelling height H (mm)	Dead weight KN	Support reaction	
			R1(KN)	R2(KN)
600	3000	57	46	41
	3500	60	49	44
	4000	64	52	47
	4500	68	56	50
	5000	71	59	53
	5500	75	62	56
800	3000	59	52	47
	3500	63	56	50
	4000	67	60	54
	4500	71	64	57
	5000	74	68	60
	5500	82	74	66
1000	3000	86	78	69
	3500	63	59	53
	4000	67	64	57
	4500	71	68	61
	5000	75	73	65
	5500	83	79	71

## KYSE 35° Economic type escalator Construction layout for commercial use



**Travelling height:** Maximum 6000  
**Horizontal Steps:** 2

**Inclination:** 35°  
**Step width:** 600/800/1000

**Description:**

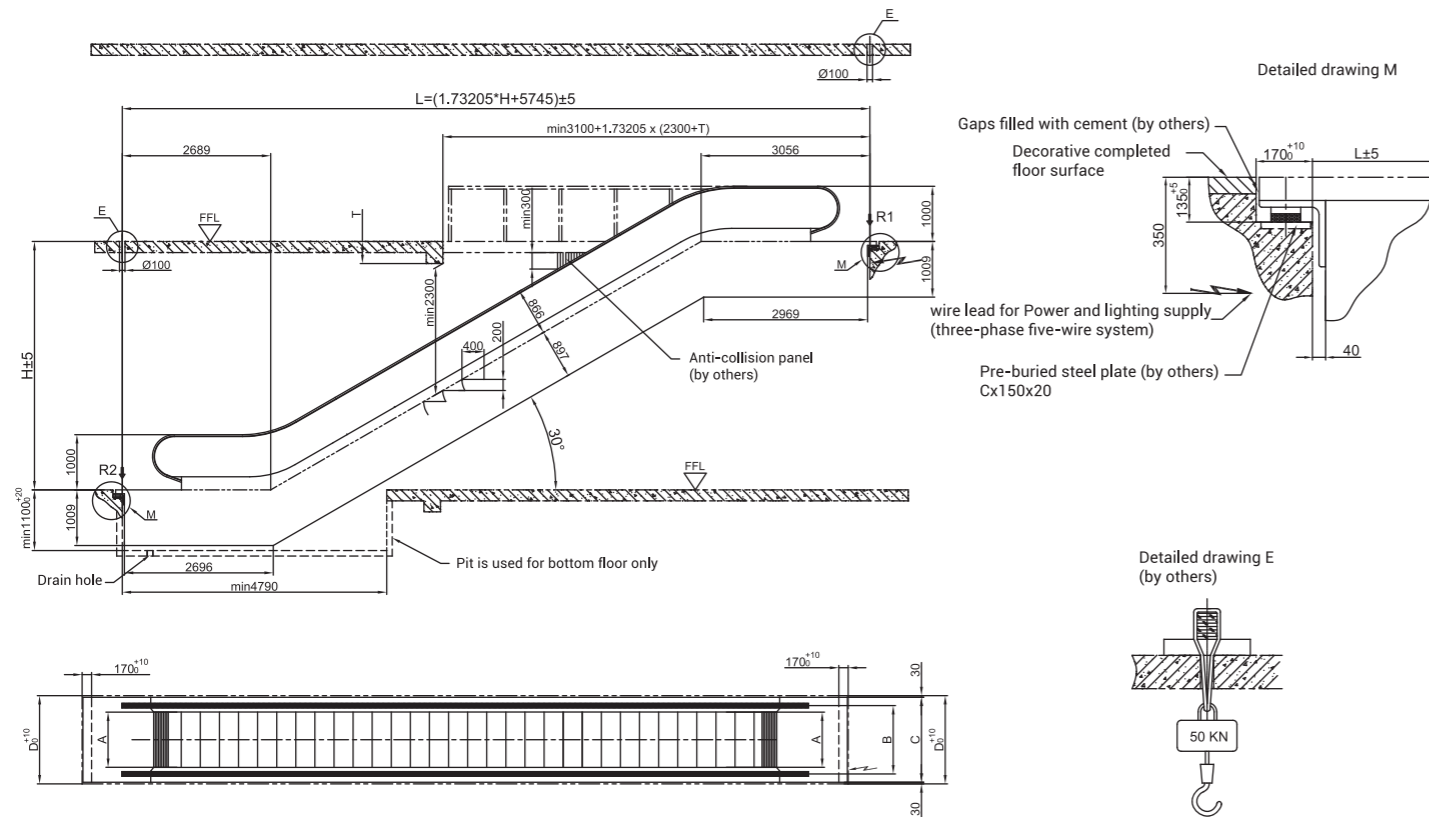
1. All dimensions are based on "mm";
2. If more horizontal steps required, extend the horizontal length correspondingly;
3. When the width of step A=600, the truss must be extended by 420mm;
4. Pit depth should be 1450mm for outdoor escalators.

Model	KYSE 35°-600	KYSE 35°-800	KYSE 35°-1000
A:Step width	600	800	1000
B:Handrail center width	838	1038	1238
C:Width of Escalator	1140	1340	1540
D:Width of Pit	1200	1400	1600

Step width A (mm)	Travelling height H (mm)	Dead weight KN	Support reaction	
			R1(KN)	R2(KN)
600	3000	54	43	39
	3500	57	46	41
	4000	60	49	44
	4500	64	52	46
	5000	67	54	49
	5500	70	57	51
800	3000	73	60	54
	3500	56	49	44
	4000	60	52	47
	4500	63	56	50
	5000	66	59	53
	5500	70	62	56
1000	3000	76	69	61
	3500	60	56	50
	4000	64	60	53
	4500	67	64	57
	5000	71	67	60
	5500	74	71	64



## KYS/C 330 Commercial escalator Construction layout



**Travelling height:** Maximum 8000  
**Horizontal Steps:** 3

**Inclination:** 30°  
**Step width:** 600/800/1000

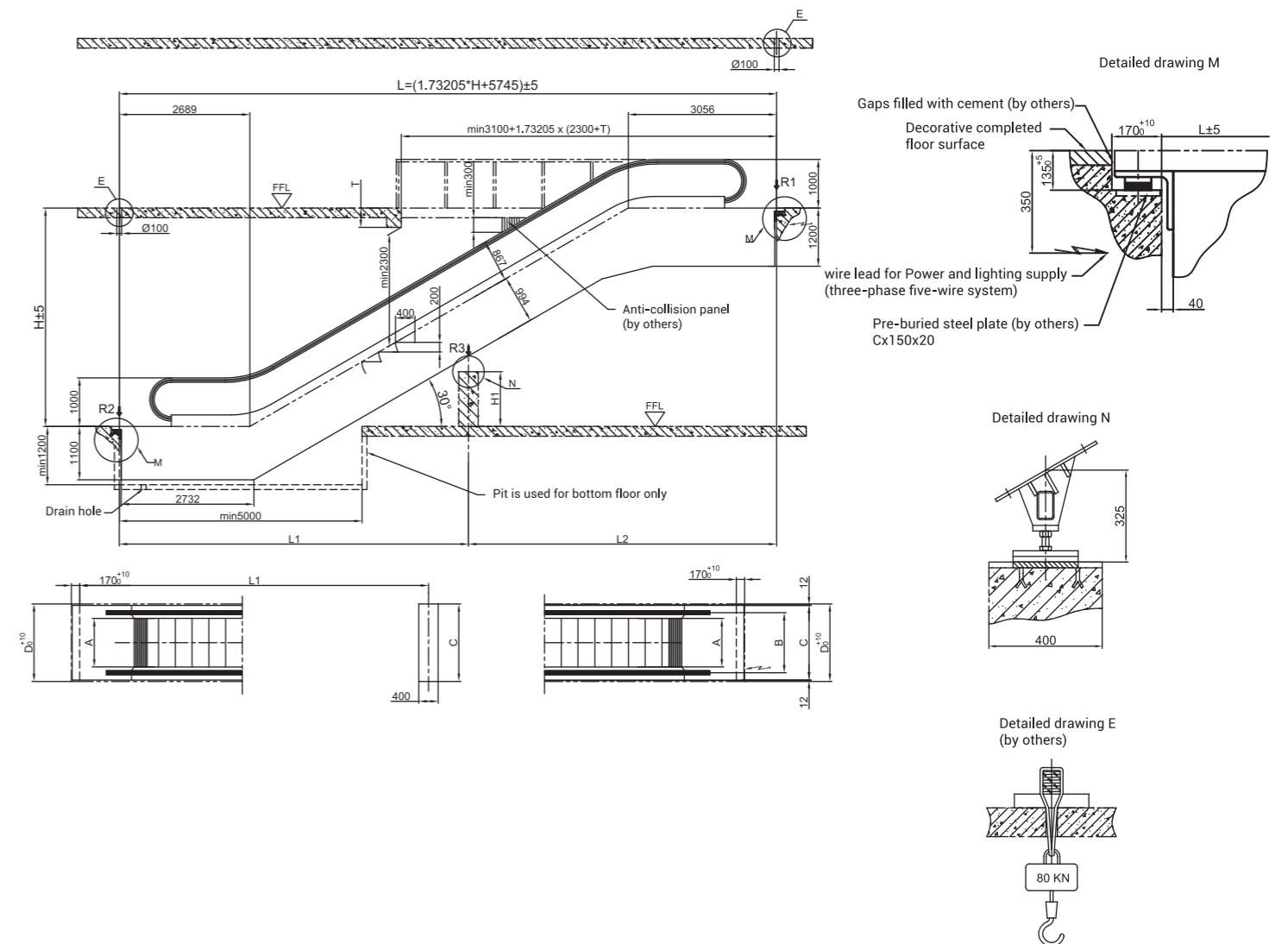
Description:

- All dimensions are based on "mm";
- If more horizontal steps required, extend the horizontal length correspondingly;
- When the width of step A=600, the truss must be extended by 420mm;
- Pit depth should be 1450mm for outdoor escalators.

Model	KYS/C330-600	KYS/C330-800	KYS/C330-1000
A:Step width	600	800	1000
B:Handrail center width	838/910	1038/1110	1238/1310
C:Width of Escalator	1140/1200	1340/1400	1540/1600
D:Width of Pit	1200/1260	1400/1460	1600/1660

Step width A (mm)	Travelling height H (mm)	Dead weight KN	Support reaction	
			R1(KN)	R2(KN)
600	3000	58	48	42
	3500	61	51	45
	4000	65	54	48
	4500	68	57	51
	5000	72	60	54
	5500	75	63	57
800	3000	61	55	49
	3500	65	58	53
	4000	68	62	56
	4500	72	65	60
	5000	76	69	63
	5500	82	74	68
1000	3000	86	78	72
	3500	65	62	56
	4000	69	66	61
	4500	73	70	65
	5000	79	76	70
	5500	83	80	74
6000	90	87	79	
6000	94	91	83	

## KYXF/KYH 330 public transportation escalator Construction layout



**Travelling height:** Maximum 15000  
**Horizontal Steps:** 3

**Inclination:** 30°  
**Step width:** 600/800/1000

Description:

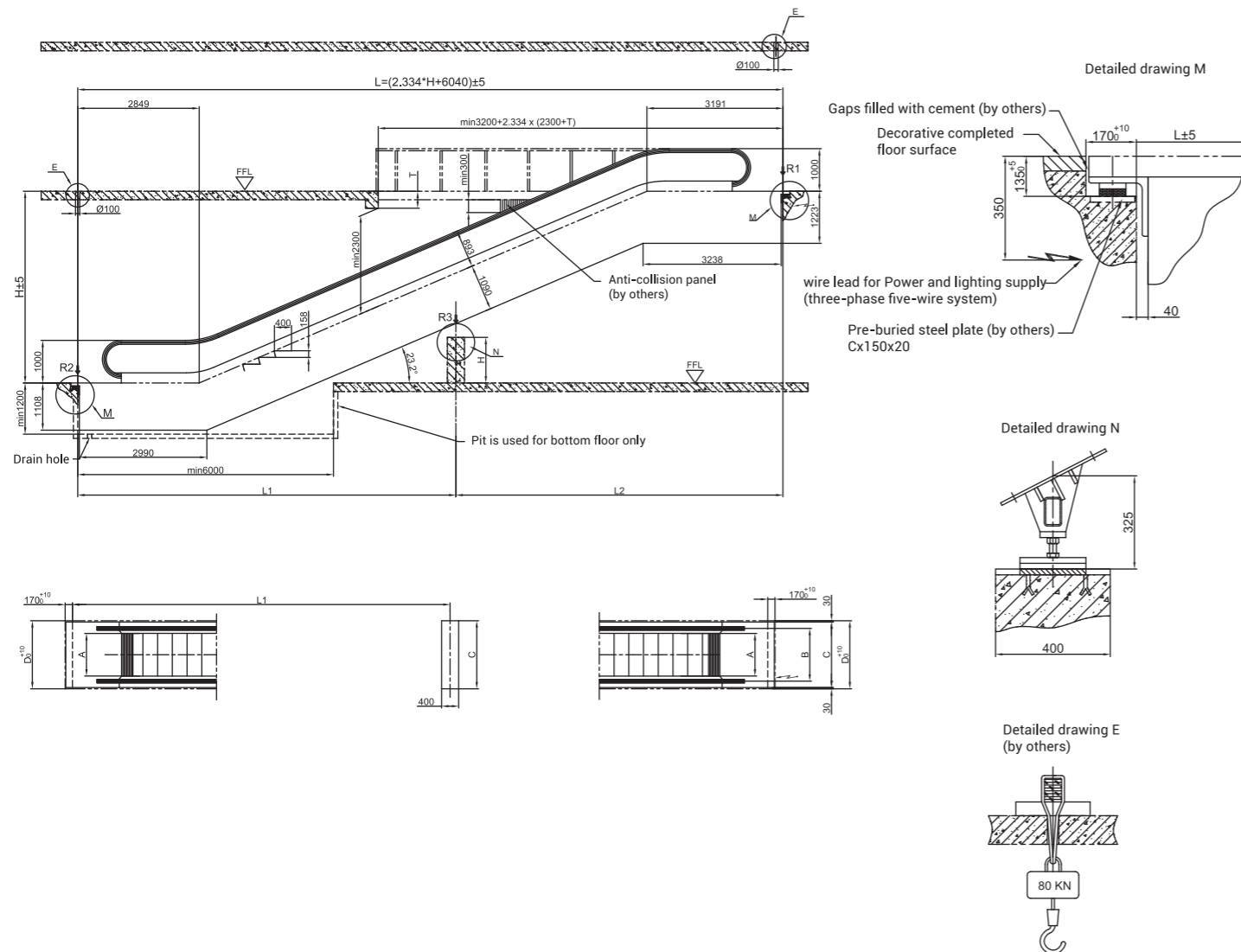
- All dimensions are based on "mm";
- If more horizontal steps required, extend the horizontal length correspondingly;
- When the width of step A=600, the truss must be extended by 420mm;
- Pit depth should be 1500mm for outdoor escalators.

Model	KYXF/KYH 330-600	KYXF/KYH330-800	KYXF/KYH330-1000
A:Step width	600	800	1000
B:Handrail center Distance	910	1110	1310
C:Width of Escalator	1200	1400	1600
D:Width of Pit	1260	1460	1660

Step width	600	800	1000
R1(KN)	4.1×L2+15.5	4.5×L2+16.1	5×L2+17.5
R2(KN)	4.1×L1+7.8	4.5×L1+7.8	5×L1+8.5
R3(KN)	4.25×L+9.5	4.5×L+10.5	5.2×L+11.5
Description	L、L1、L2 unit is m,L1、L2 will not exceed 15m		



## KYXF/KYH 323 public transportation escalator Construction layout



**Travelling height:** Maximum 15000  
**Horizontal Steps:** 3

**Inclination:** 23.2°  
**Step width:** 600/800/1000

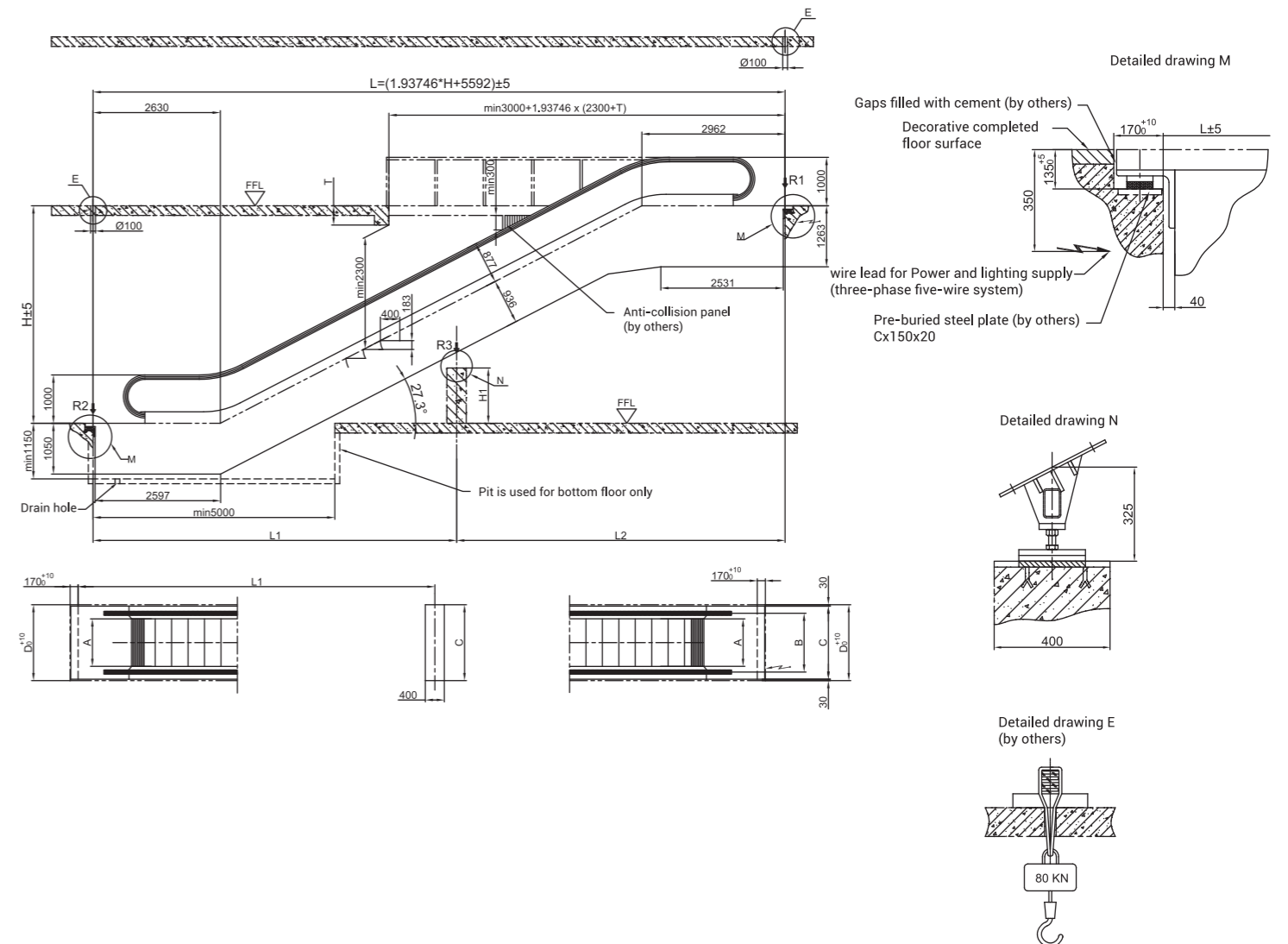
**Description:**

1. All dimensions are based on "mm";
2. If more horizontal steps required, extend the horizontal length correspondingly;
3. When the width of step A=600, the truss must be extended by 420mm;
4. Pit depth should be 1500mm for outdoor escalators.

Model	KYXF/KYH323-600	KYXF/KYH323-800	KYXF/KYH323-1000
A:Step width	600	800	1000
B:Handrail center Distance	910	1110	1310
C:Width of Escalator	1200	1400	1600
D:Width of Pit	1260	1460	1660

Step width	600	800	1000
R1(KN)	4.1×L2+19.5	4.5×L2+20.1	5×L2+21.5
R2(KN)	4.1×L1+11.8	4.5×L1+11.8	5×L1+12.5
R3(KN)	4.25×L+13.5	4.5×L+15.5	5.2×L+15.5
Description	L、L1、L2 unit is m,L1、L2 will not exceed 15m		

## KYXF/KYH 327 public transportation escalator Construction layout



**Travelling height:** Maximum 15000  
**Horizontal Steps:** 3

**Inclination:** 27.3°  
**Step width:** 600/800/1000

**Description:**

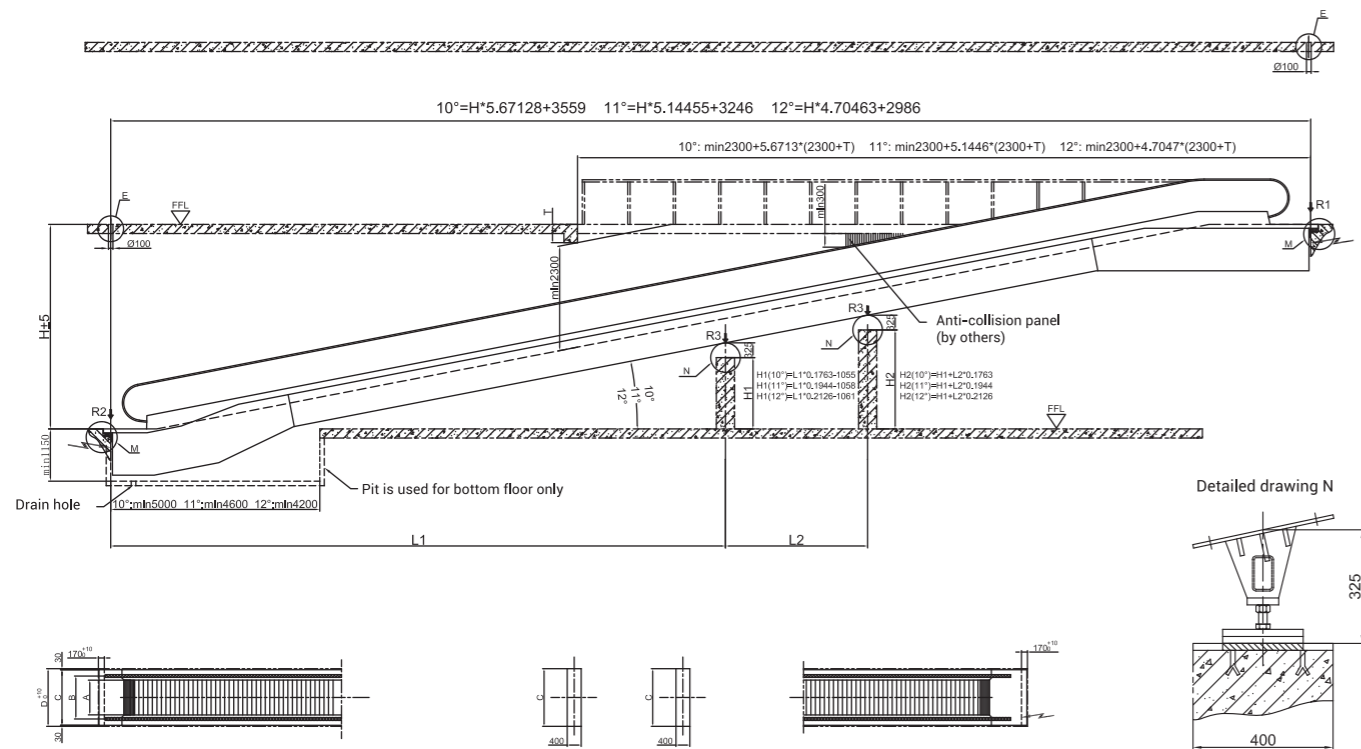
1. All dimensions are based on "mm";
2. If more horizontal steps required, extend the horizontal length correspondingly;
3. When the width of step A=600, the truss must be extended by 420mm;
4. Pit depth should be 1500mm for outdoor escalators.

Model	KYXF/KYH327-600	KYXF/KYH327-800	KYXF/KYH327-1000
A:Step width	600	800	1000
B:Handrail center Distance	910	1110	1310
C:Width of Escalator	1200	1400	1600
D:Width of Pit	1260	1460	1660

Step width	600	800	1000
R1(KN)	4.1×L2+17.5	4.5×L2+18.1	5×L2+19.5
R2(KN)	4.1×L1+9.8	4.5×L1+9.8	5×L1+10.5
R3(KN)	4.25×L+11.5	4.5×L+12.5	5.2×L+13.5
Description	L、L1、L2 unit is m,L1、L2 will not exceed 15m		



## KYPS Commercial use moving walk Construction layout for commercial use



Angle of inclination	Travelling height		In intermediate supporting	
	Form	To	R3(KN)	R4(KN)
10°	1297	2100	-	-
	2100	4800	✓	-
	4800	6000	✓	✓
11°	1449	2400	-	-
	2400	5300	✓	-
	5300	6000	✓	✓
12°	1601	2600	-	-
	2600	5800	✓	-
	5800	6000	✓	✓

If floor height is over 6m, please contact KOYO for middle support information.

	Supporting force		
	No intermediate supporting(KN)	Single Intermediate support(KN)	Double Intermediate support(KN)
R1=Lxq+m	R1=L3xq+m	R1=L3xq+m	R2=L1xq+n
R2=Lxq+n	R2=L1xq+n	R3=(L1+L2)x1.3xq	R4=(L3+L2)x1.3xq
Remarks	L1、L2 will not exceed 15m		
Supporting force	Q	M	N
800	0.0039	9.5	4.5
1000	0.0045	11	5

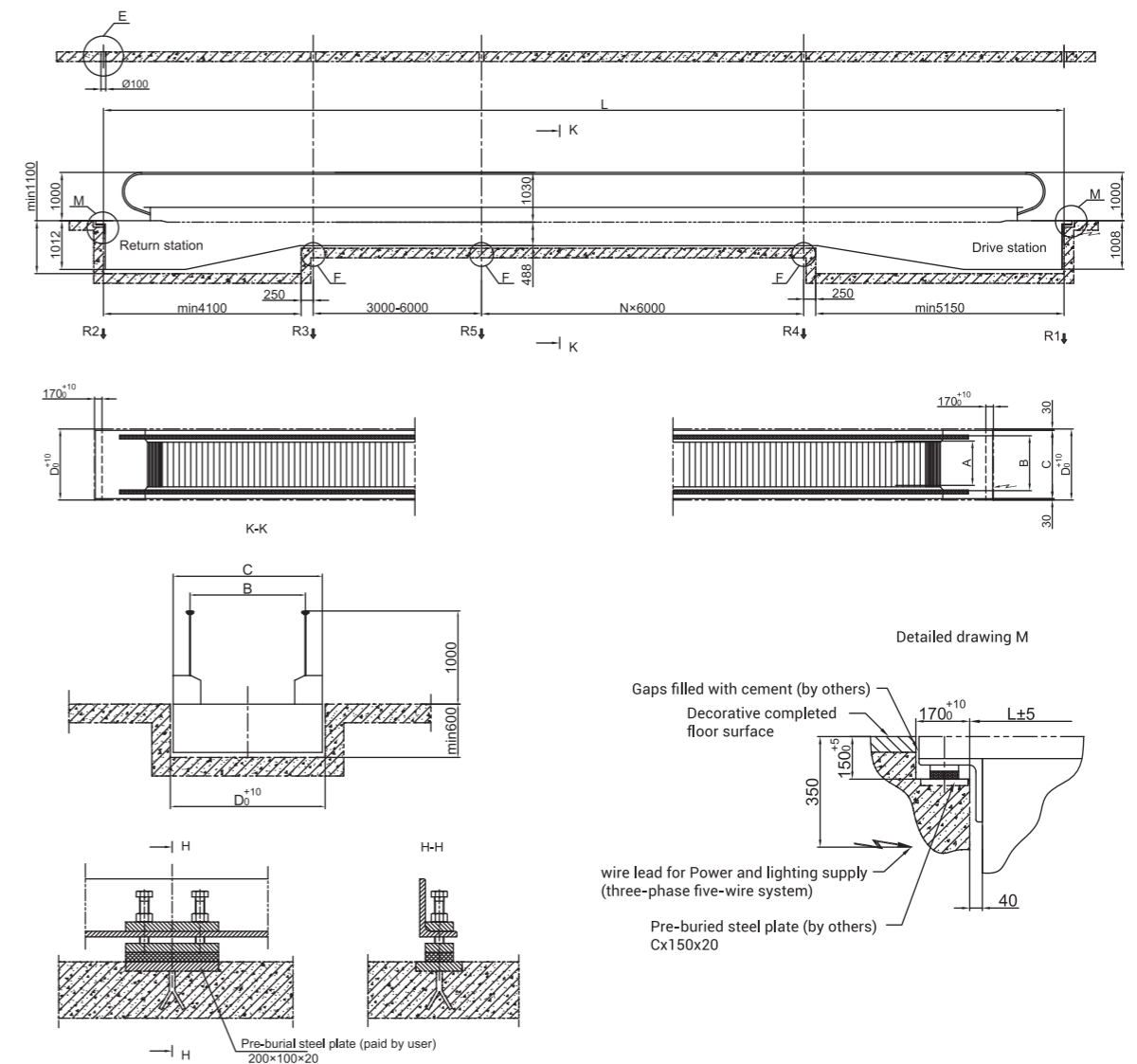
Travelling height: Maximum 8000  
Inclination: 10° 11° 12°  
Inclination: 800/1000

### Description:

- All dimensions are based on "mm";
- Pit depth should be 1450 for outdoor moving walk.

Model	KYPS-800	KYPS-1000
A:Step width	800	1000
B:Handrail center Distance	1038	1238
C:Width of Escalator	1400	1600
D:Width of Pit	1460	1660

## KYPH0 Public transportation moving walk Construction layout



Travelling height: Maximum 10000  
Inclination: 0°  
Inclination: 800/1000

Model	KYPH0-800	KYPH0-1000
A:Step width	800	1000
B:Handrail center Distance	1038	1238
C:Width of Moving Walk	1400	1600
D:Width of Pit	1460	1660

### Description:

- All dimensions are based on "mm";
- Pit depth should be 1450 for outdoor escalators.

Pedal width	KYPH0-800	KYPH0-1000
R1	45KN	49KN
R2	31KN	33KN
R3	30KN	32KN
R4	32KN	34KN
R5	44KN	53KN





### **We offer customized exclusive service**

Supply a full set of exclusively custom-made elevator solution plans



### **We offer full-time monitor & supervision services**

To ensure each step goes well and smoothly till the end



### **We provide escalator installation / debugging service**

To guarantee the safety, reliability for product  
smooth and comfortable travelling



### **24-hour free call service online**

We keep our hotline unimpeded  
You can be rest assured in using our products all the time

